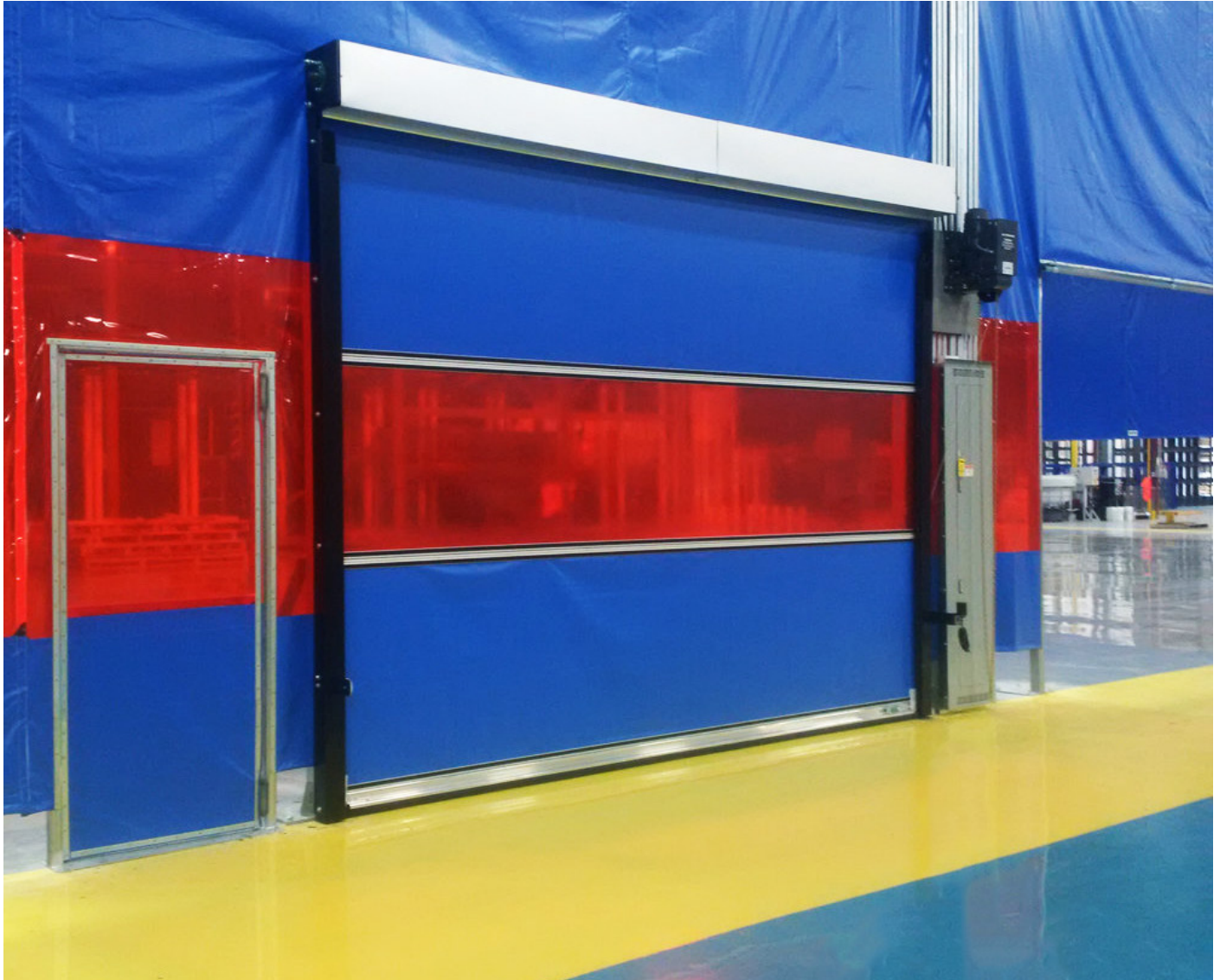


FABRIC DOOR - E100



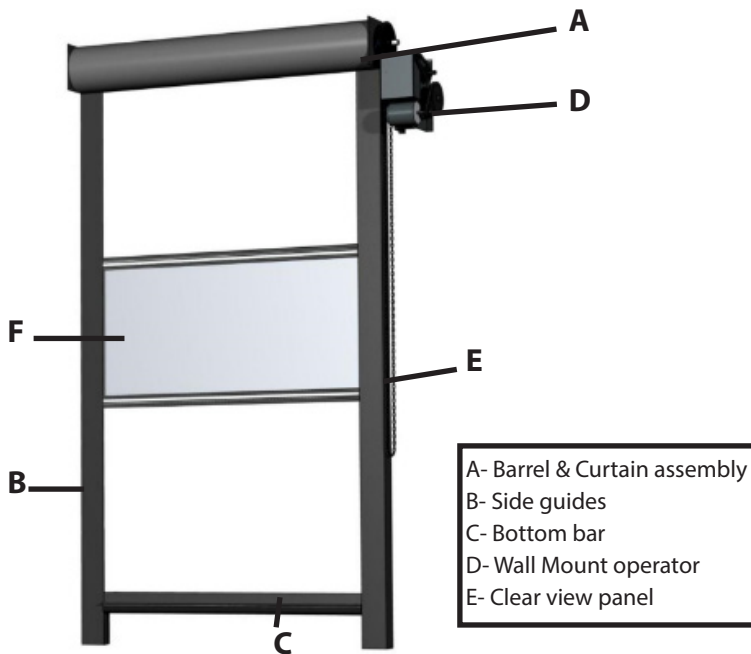
*Optional welding screen shown

FABRIC DOOR

- Manufactured, configured, stocked and assembled in Canada
- Weather and puncture resistant fabric with a layer of woven mono-filament PVC
- Virtually indestructible and easy to repair
- Provides years of trouble free operation and low energy consumption
- Rugged yet economical solution for environmental separations where high speed is not a requirement.



Innovative door products



FEATURES

PVC coated polyester monofilament fabric available in blue, orange and black

Aluminum bottom bar gives away at impact, allowing for easy repair

Resilient and flexible at temperatures ranging from -15 ° C to + 90 ° C

The airtight seal and minimal infiltration is ideal where heat loss or gain is a concern

Clear PVC vision panel 36" height

Interior application - No windload

Materials and Construction

Open/Close Speed	12"/sec
Maximum Size	14' x 14'
Header Clearance	18" above clear opening
Safety Edge	Air wave - Wireless
Steel Guides	Structural steel angle pre-finished black
Hood	Galvanized finished steel
Bottom Bar	Aluminum - Mill finish
Control Panel	Open/Close/Stop Push button station
Fabric Weight	Blue & Orange- 45oz, Black - 40oz
Power Supply*	110V, 230V 1PH or 208V/230V/460V/575V 3PH
Motor HP	3/4 HP
Limit Adjustment	Linear driven limit switch
Photocell	Standard thru beam UL325 compliant
Warranty	1 year on materials and workmanship

Colour Options



Orange



Blue



Black

Guide & Headplate Finish Upgrades



Hot dipped galvanized



Powder coated steel

Operation

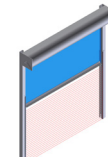
3/4 HP wall mount gear head operator

Monitored logic



Options

Light Curtain



Loop Detector



Pull Cords



Motion Detector



Safety Sensor & Activation



Photocell



Warning Horn and/or Beacon



Remote Control



Tel. (905) 670.1200
servicedoor.com