



SE DIRECT DRIVE OPERATOR

Application

SE operator is shaft mounted for balanced doors.

Compact Size

Designed for minimal side room, only 6" required. The SE operator is perfect for tight situations.

Nema 4

Nema 4 rated gear reducer & motor.

Optional operator cover allows the system to be used in harsh environments.

No sprockets or chains to corrode.

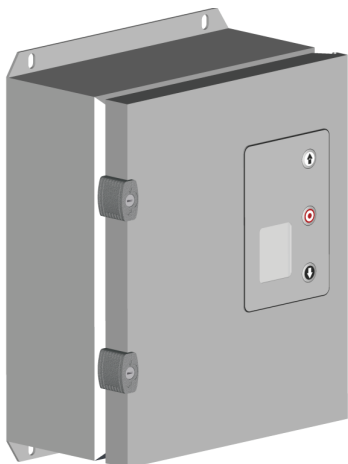
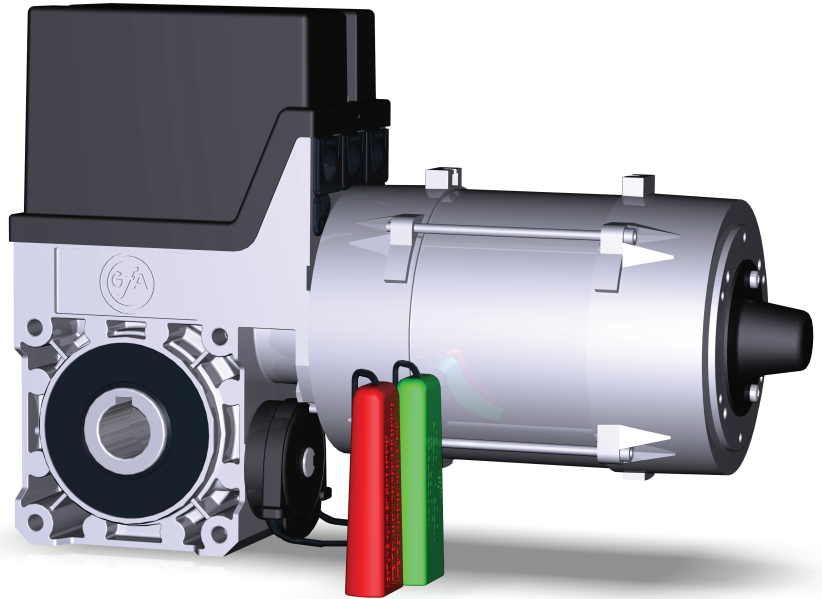
Separate Control Panel

Small and compact panel comes standard with open, close and stop push buttons on face of panel.

Easy Installation

SE operator is supplied with a mounting bracket.

Pre-wired digital limits and motor cables ensure a quick and easy installation.



Model SE control panel



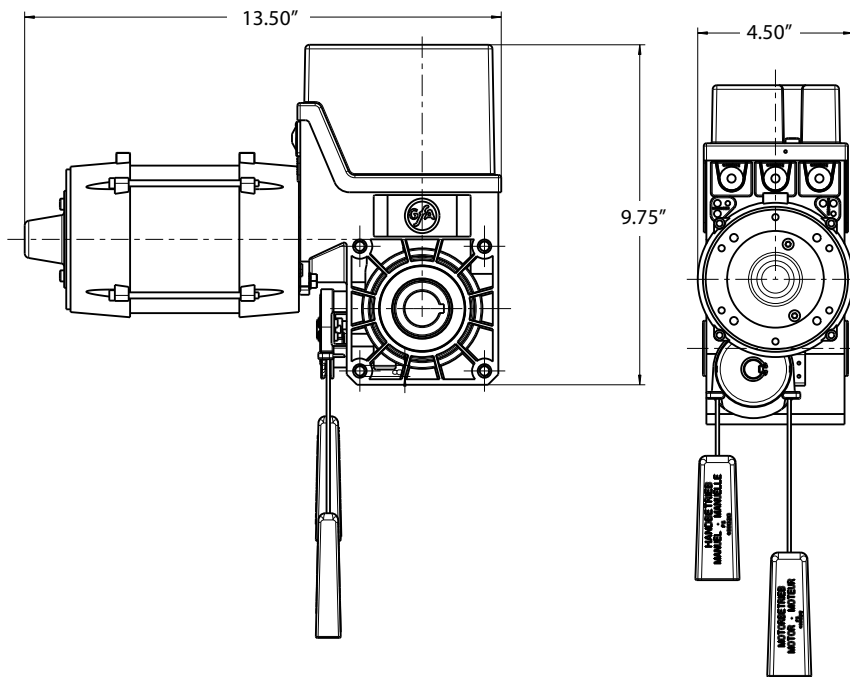
servicedoor.com

Phone#: 905 670 1200

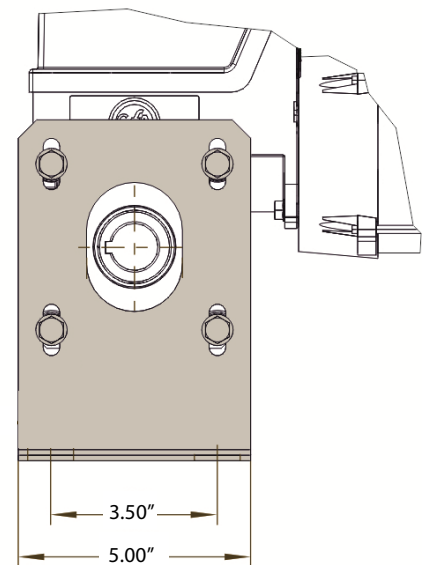
Fax#: 905 670 8830

SE OPERATOR DETAILS

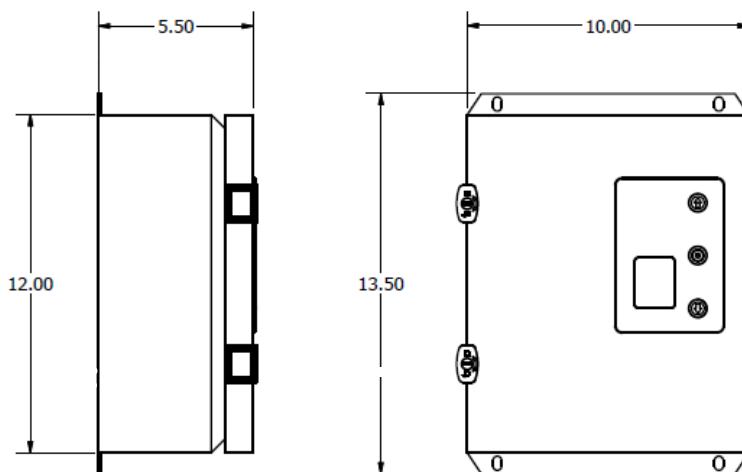
SE Operator Dimensions



SE Bracket Dimensions



SE Panel Dimensions



Features:

- Direct drive operator 1/2HP
- NEMA 4 gear reducer & motor with additional cover available
- Pre-wired limits and motor cables
- Mounting bracket included
- Power supply: 115V/230V 1PH or 230V/460V/575V 3PH
- 6' power plug included with 115V units
- Emergency release
- Simple controls for quick installation
- 1" Shaft
- Optional operator cover